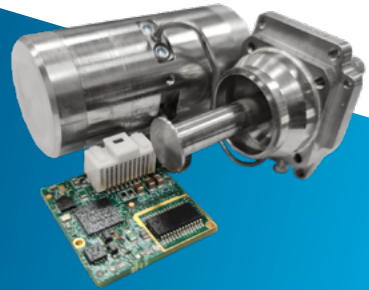
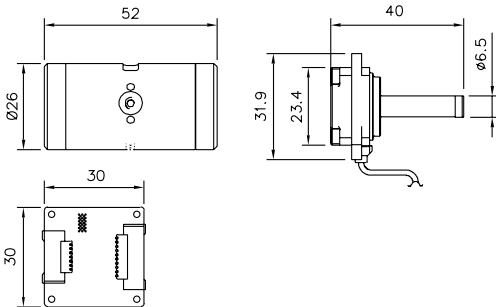


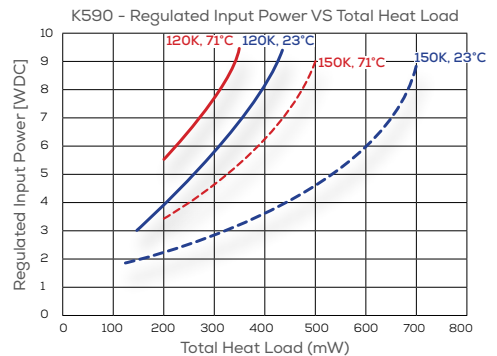
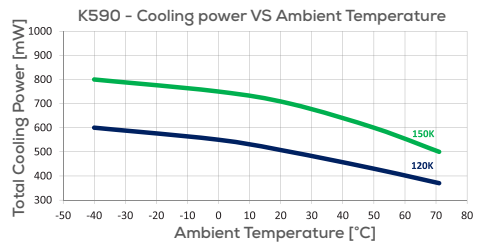
K590



- Designed to Maximum SWaP-C Advantages
- For HOT Detectors at 120-180K
- Dual Opposed Compact Linear Compressor – D26mm x L52mm
- The Most Efficient Cooler Available – 2.15Wdc Typ. @150K & 180mW & 23C
- Compact Cold Head: 40mm
- Quiet: Not Detectable from 10m per MIL-STD-1474E
- Ideal for Hand Held and Other Miniature Applications



Dimensions in mm



SPECIFICATIONS

• Total cooling power: 500mW @150K@71°C	• Cold tip temperature range: 120K-180K	• Meets environmental conditions per MIL-STD-810
370mW@120K@71°C	• Product maturity: under production	• Acoustic noise: Non detectable from 10m according to MIL-STD-1474E
• MTTF: >30,000hr (D.Goal) @Basic profile	• Cooler weight: 180 gr	• Service life: 15 years
• Steady state input power: (180mW@150K@23°C): 2.15 Wdc typ.	• Controller weight: 10gr	• Standard warranty*: 5,000hr/2 years
• Maximum input power: 12 Wdc typ.	• Input voltage: 5.5-16Vdc	• Option to propose extended warranty
• Cool down time: (150J@150K@23°C): 2min. typ.	• Ambient temperature range: - Operational: -40°C...+71°C - Non-Operational: -55°C...+85°C	
	• Temperature stability: ±0.1K	