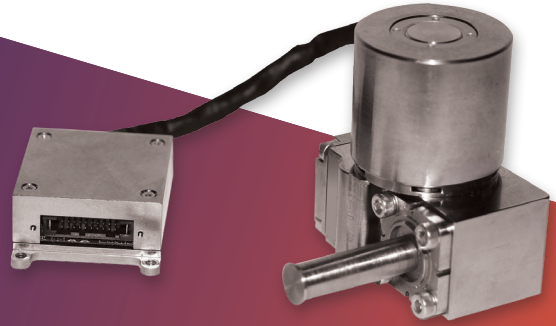
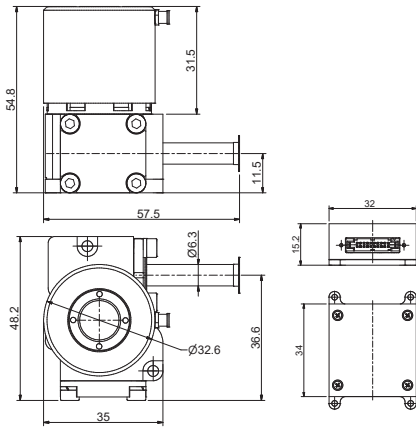


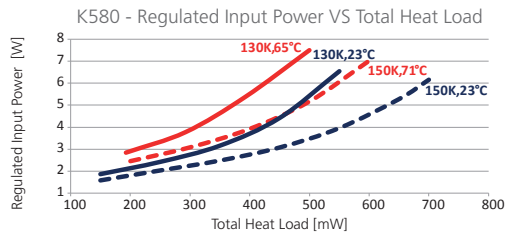
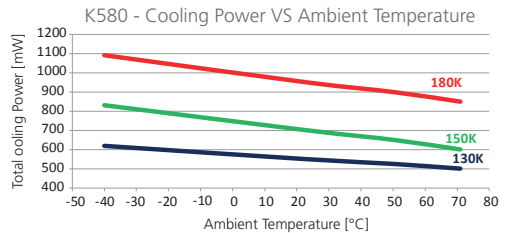
# K580



- Designed to Maximum SWaP-C Advantages
- For HOT Detectors at 130-180K
- Compact Size – 57.5mm
- The Most Efficient Cooler Available - 1.5Wdc Typ.
- Generic Cold Finger
- Quiet, Not Detectable From 20m per MIL-STD-1474E
- Ideal for Hand Held and Other Miniature Applications



Dimensions in mm



## SPECIFICATIONS

• Total cooling power:	• Cold tip temperature range: 130K-180K	• Meets environmental conditions per MIL-STD-810
600mW@150K@71°C	• Product maturity: under production	• Acoustic noise: non detectable from 20m according to MIL-STD-1474E
500mW@130K@65°C	• Cooler weight: 190gr	• Service life: 15 years
• MTTF: >16,000hr @ Basic profile	• Controller weight: 30gr	• Standard warranty*: 5,000hr/2 years
• Steady state input power:	• Input voltage: 4-16Vdc	• Option to propose extended warranty
(150mW@150K@23°C): 1.5Wdc typ.	• Ambient temperature range:	
• Maximum input power: 10Wdc typ	- Operational: -40°C...+71°C	
• Cool down time:	- Non-Operational: -55°C...+85°C	
(150J@150K@23°C): 3min. typ.	• Temperature stability: ±0.1K	