

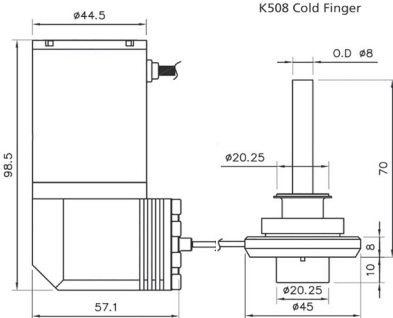


K549

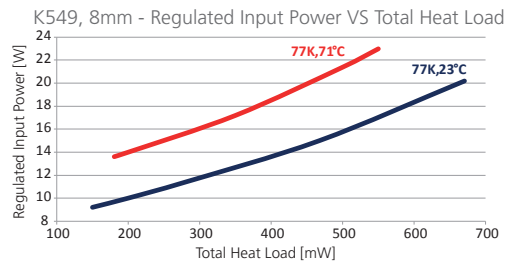
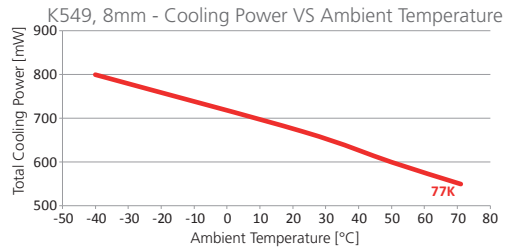
8mm Cold finger



- Split Configuration for System Design Flexibility
- Ideal for Gimbaled Payloads Systems
- Highly Reliable Services in Harsh Environment
- Use K508 Cold Finger
- Includes Onboard Temperature Controller



Dimensions in mm



SPECIFICATIONS

• Total cooling power: 550mW@77K@71°C	• Cold tip temperature range: 65K-110K	• Temperature stability: $\pm 0.5K$
• MTTF: >10,000hr @ Basic profile	• Product maturity: under production	• Meets environmental conditions per MIL-STD-810
• Steady state input power: (200mW@80K@23°C): 10 Wdc typ.	• Cooler weight: 900gr	• Acoustic noise: <45dB @ 5 meter
• Maximum input power: 40Wdc typ.	• Input voltage: 20-32Vdc	• Service life: 15 years
• Cool down time: (250J@80K@23°C): 5 min. typ.	• Ambient temperature range: - Operational: -40°C...+71°C - Non-Operational: -55°C...+85°C	• Standard warranty*: 3,000hr/2 years * Option to propose extended warranty