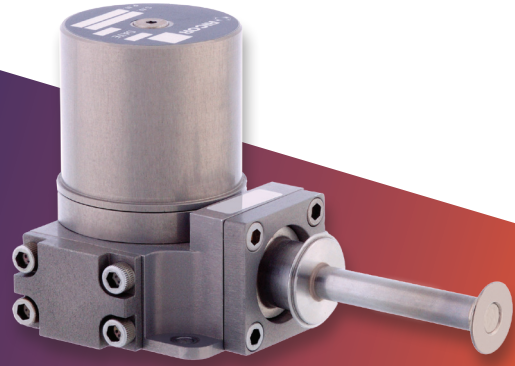
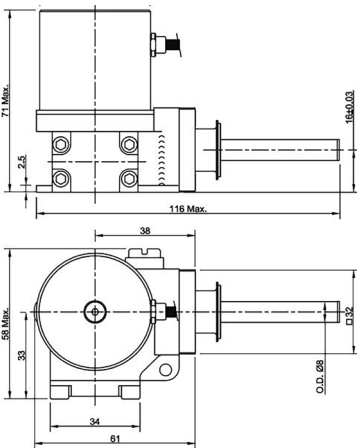


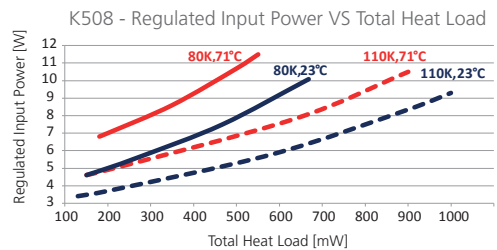
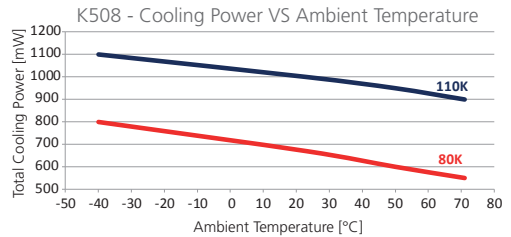
# K508



- >80,000 Coolers Have Been Fielded Since 1994
- Ruggedized and Robust Design
- For Small, Medium and Large Format Arrays
- Reliable Service in Numerous Applications
- >90 Cryocoolers Supplied for Space Program
- Includes Onboard Temperature Controller



Dimensions in mm



## SPECIFICATIONS

• Total cooling power:	• Cold tip temperature range: 65K-110K	• Temperature stability: ±0.5K
900mW@110K@71°C	• Product maturity: under production	• Meets environmental conditions per
550mW@77K@71°C	• Cooler weight: 450gr	MIL-STD-810
• MTTF: >15,000hr @ Basic profile	• Input voltage: 8.5-32Vdc	• Acoustic noise: <35dB @ 5 meter
• Steady state input power:	• Ambient temperature range:	• Service life: 15 years
(200mW@80K@23°C): 5.5Wdc typ.	- Operational: -40°C...+85°C	• Standard warranty*: 3,000hr/2 years
• Maximum input power: 18Wdc typ.	- Non-Operational: -55°C...+85°C	• Option to propose extended warranty
• Cool down time:		
(250J@80K@23°C): 5 min. typ.		